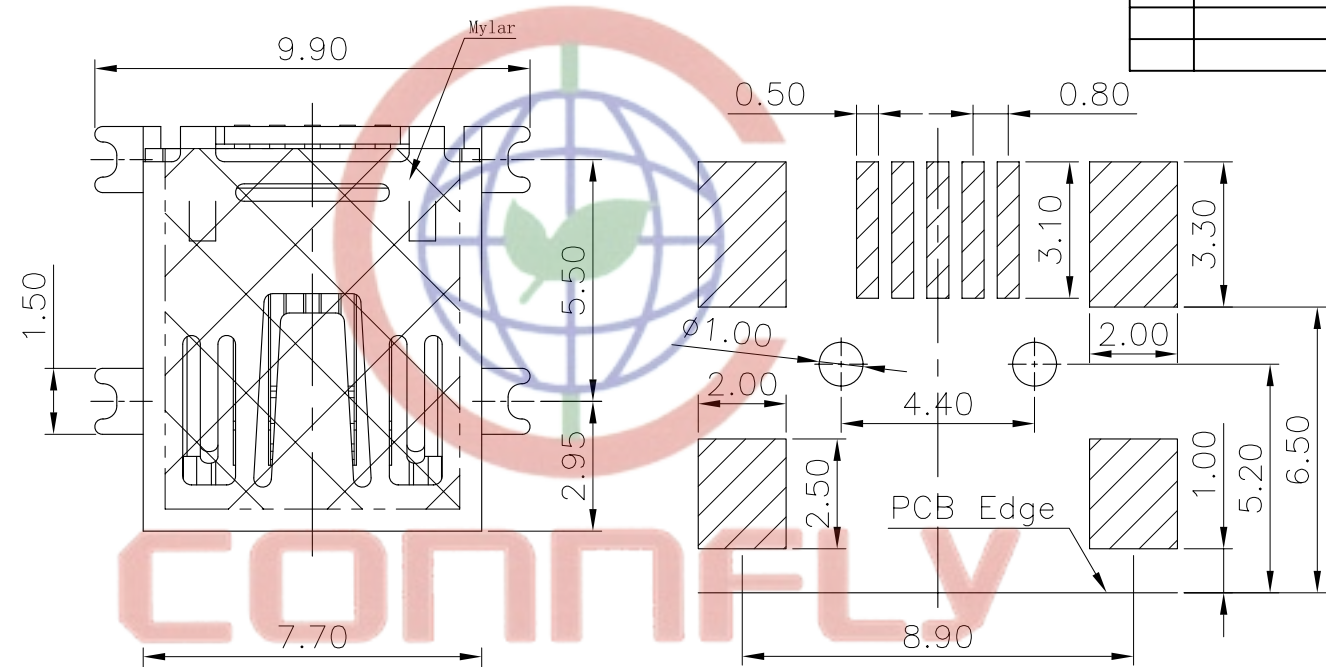
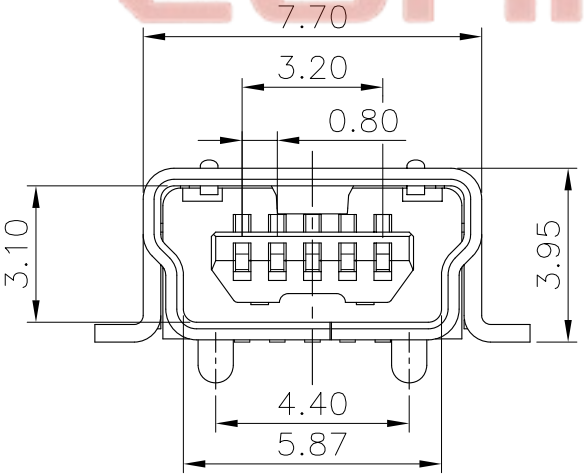


REV.	DESCRIPTION	DRAWN	CHECKED	APPROVED
A	NEW RELEASE	YCH 10/21/08'	~	

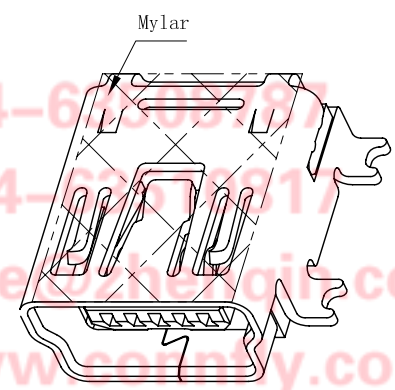
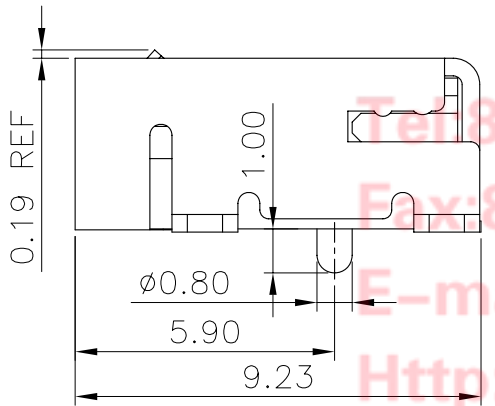


NOTES:

- SPECIFICATIONS
  - CONTACT RESISTANCE:50mΩ Max.
  - INSULATOR RESISTANCE:100MΩ Min.
  - DIELECTRIC STRENGTH:100VAC FOR 1 Minute.
  - DURABILITY:5000
- PRODUCT NUMBER CODE:  
DS1104 - X X X X X
  - PACKING TYPE  
R:TAPE ON REEL  
B:TUBE
  - MYLAR SUPPORT  
S:W/ MYLAR  
X:W/O MYLAR
  - CONTACT PLATING  
O: SELECTIVE GOLD FLASH  
C: SELECTIVE 3u" GOLD
  - SHELL PLATING  
N: NICKEL  
6: TIN  
8: FULL GOLD
  - COLOR OF HOUSING  
B: BLACK



RECOMMEND PCB LAYOUT(TOLERANCE=±0.05)



GENERAL TOLERANCE		ANGLE TOLERANCE		PROJECTION	TITLE
X.	±0.60	X.	±5°		MINI USB
.X	±0.38	.X	±3°	mm	
.XX	±0.25	.XX	±2°		
DRAWING TYPE				CUSTOMER	
SCALE		1:1	SHEET	1 OF 1	
DRAWING NO.		C-DS1104-XXXXX			
					晨翔电子有限公司
				CONNFLY CONNFLY ELECTRONIC CO. LTD	

Tel:86-574-6235289  
 Fax:86-574-6235281  
 E-mail:sales@connfly.com.cn  
 Http://www.connfly.com